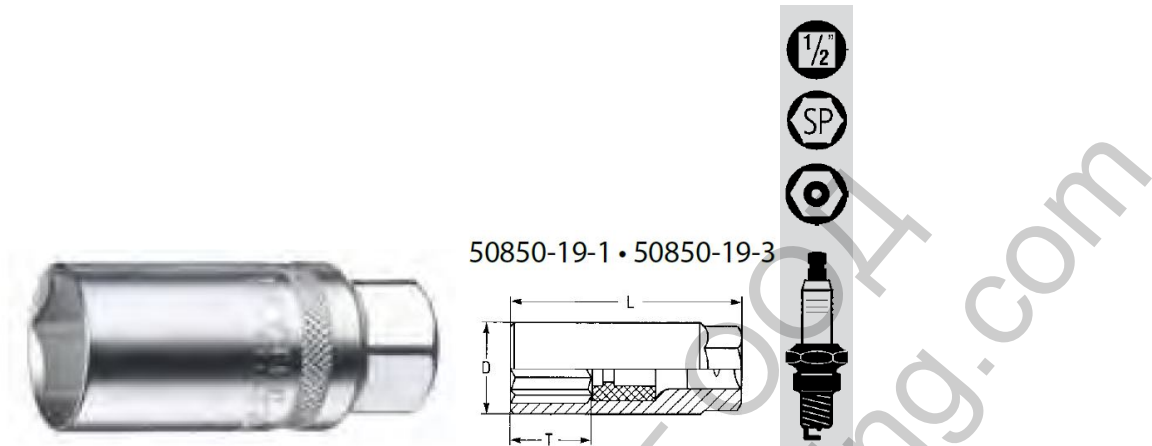


Spark Plug Sockets

Chrome-Vanadium, chromium plated
with rubber insert



Bestell-No. Order-No.	Art.No.	MM	mm	T mm	D1 mm	MM	g	
50850190183	50850-19-1	20,8	70,0	21,5	28,0	24,0	170	10
50850190383	50850-19-3	16,0	65,0	18,0	23,0	21,0	110	10

Ташев-Галвинг ООД
www.tashev-galving.com